

The present invention relates to a light-tight package for roll film, comprising two cases containing the film rolls and interconnected at a certain distance, for instance, of the type used in photographic apparatus of the vest pocket size.

The main object of the invention is to create a package by means of which the exchange of the film in the photographic apparatus may be carried out in a simple manner in daylight without manipulations for fastening the end of the film to a roller.

Another object of the invention is to produce a package the receiving roller of which is coupled with a film feeding mechanism simply by the insertion of the package into a photographic apparatus, at the same time as the lens system of this photographic apparatus may find its location in the space between the two cases of the package.

Another object of the invention is to provide a package having an interconnecting piece of such construction and arrangement that it may be used as a handle when the package is inserted into a photographic apparatus or removed therefrom.

Another object of the invention is to avoid the use of special changing boxes or similar means which must be filled by the photographing person.

A further object is to produce a package of such simple and inexpensive construction that it may be thrown away after being used only once.

One embodiment of the invention is shown in the annexed drawing.

Figure 1 is a perspective view of the package according to the present invention,

Figure 2 is a longitudinal section through the same package,

Figure 3 is a perspective view of a photographic apparatus in which said package is intended to be used,

Figure 4 is a longitudinal section showing the photographic apparatus and the package therein.

The package according to the present invention is intended to be used especially in photographic apparatus of the type described in my two co-pending patent applications entitled "Improvements in photographic apparatus" and "Improvements in film feeding mechanisms for photographic apparatus" filed at the same time as my present application. Some features herein shown and described are shown, described and claimed in my said co-pending applications.

The package consists of two cases 11 and 12 and an intermediate piece 3. The case 11 is formed of two caps 11a, 11b of substantially cylindrical shape and pressed into each other. The case 12 also is formed of two caps 12a, 12b of substantially cylindrical shape and pressed into each other. The intermediate piece 3 is formed as a plate rigidly interconnecting the two cases 11 and 12 and lying in flush with the end sides of the cases 11 and 12. The plate 3 may be integral with the outer caps 11b, 12b of the two cases.

The two cases 11, 12 lies at a distance from each other substantially corresponding to the length of a picture. The case 11 contains the roll 5 of film not exposed, and the case 12 contains the roll 8 of film exposed. The film 7 which is preferably unperforated is passed through slots 9 in the two cases 11, 12 and extends between the two cases in a plane perpendicular to the plane of the plate 3. Thus, the film is entirely free on its two sides.

The film roll 8 is wound on to a hub 4 rotatably mounted upon a hollow stud 12c centrally formed in the cap 12b. In the bottom of this stud an opening is provided through which coupling means 6 upon the hub 4 project. These means 6 are adapted to be engaged by a film feeding mechanism of the type described in my co-pending patent application entitled "Improvements in film feeding mechanism for photographic apparatus" and filed at the same time as my present application.

The film is kept for sale in the package described above. This package is inserted into the apparatus after the parts 1a, 1c of the apparatus have been drawn apart and after the back plate 1c has been further drawn out as shown in Fig. 3 of the drawings. The intermediate piece 3 is used as a handle when the package is being inserted. The portion of the film extending between the two cases 11 and 12, now lies in a slot behind the lens 20. Now, the first unexposed picture square of the film is brought into position by extending the apparatus, that is by drawing the parts 1a, 1b apart and that square may now be exposed.

After the entire film has been exposed the package is removed from the apparatus and may be left for developing. The package may be thrown away. A new package containing a film not exposed is inserted into the apparatus.

Having thus described my invention, I claim:-

1. A light-tight package for roll film comprising, in combination, a case containing the film to be exposed, a second case which is arranged at a distance from the first case corresponding substantially to the length of a picture, a roller in said second case on to which the film exposed is wound, and a piece rigidly interconnecting the two cases only at one of their end sides.

2. A light-tight package for roll film comprising, in combination, a case containing the film to be exposed, a second case which is arranged at a distance from the first case substantially corresponding to the length of a picture, a roller in said second case on to which the film exposed is wound, a plate rigidly interconnecting the two cases only at one of their end sides and lying in a plane perpendicular to the axis of the film rolls, a central opening in said second case, and coupling means on said film roller which coupling means are accessible through said opening for engagement with a film feeding mechanism.

3. A light-tight package for roll film comprising, in combination, two cylindric caps integral with a rigid intermediate plate, two other cylindric caps inserted into the open ends of said first-mentioned caps and attached to them to form two slotted chambers, a film roll in one of said chambers, a cylindrical hollow central stud in said second chamber, said stud being open at both ends, a cap-shaped film roller journalled on said stud, the film having one end secured to said roller, and having its part between said two chambers free on both sides, and projections on the bottom of said roller said projections extending to said hollow stud to be operatively engaged by a film feeding mechanism.

9X

384038

FIG. 1.

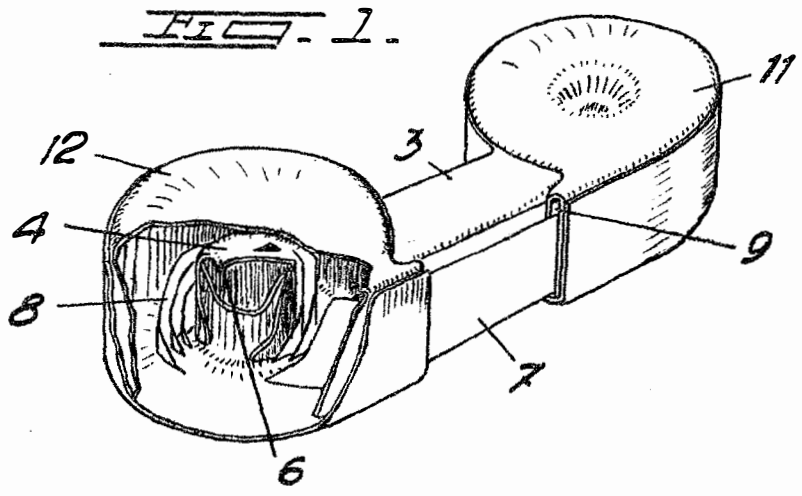


FIG. 2.

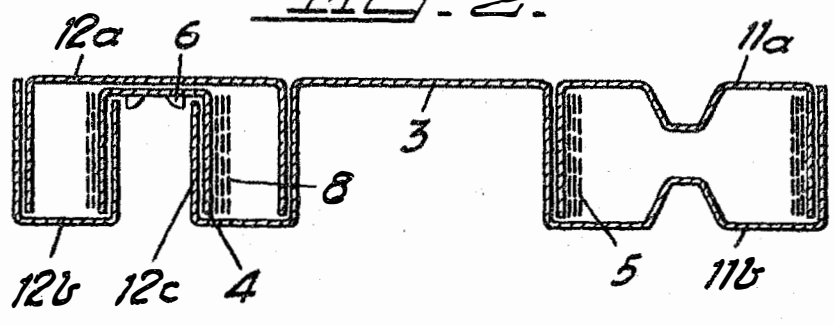


FIG. 3.

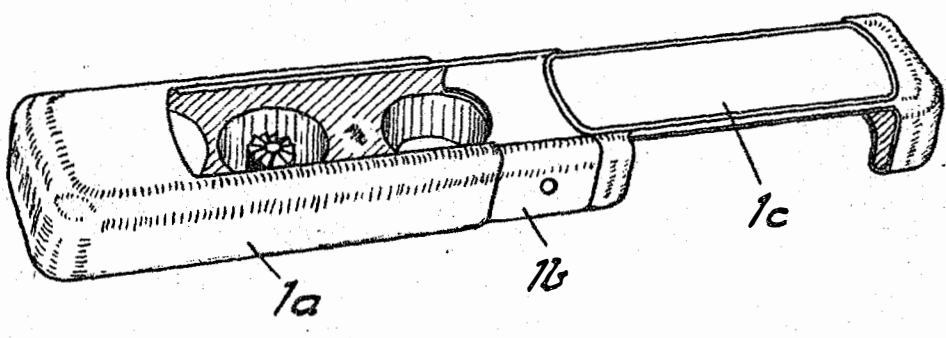
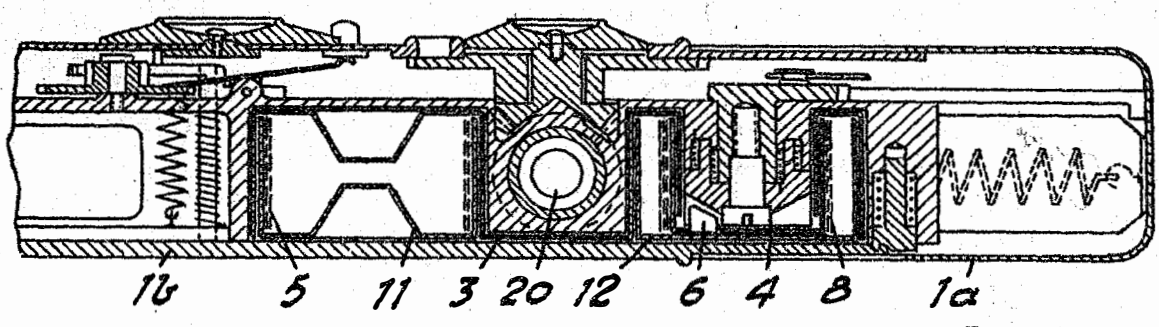


FIG. 4.



Certified to be the drawings referred to  
 in the specification hereunto annexed.  
 Montreal December 7, 1937.

INVENTOR:  
 WALTER ZAPP

By: *Maxion & Maxion*

Attorneys.